

Connect with a Kiosk

Make a splash, create buzz, and attract attendees with an immersive digital kiosk experience for your products and services.

These freestanding kiosks with your custom branding and graphics – and optional video monitor – help you stand out from the crowd and free up you and your team for networking and prospecting.

- Display Complex Information
- Interactive Marketing
- Visual Storytelling for Your Brand
- Decrease Inventory Shipped to Shows
- Reduce Booth Staffing Demands
- Increase Traffic



**Photos do not represent the exact look of the kiosk. See Art details on page 2.*

Kiosk with Monitor*

(includes power)

Business Partner Rate	Non-Member Rate
\$5,600	\$7,600

Kiosk without Monitor*

(includes power)

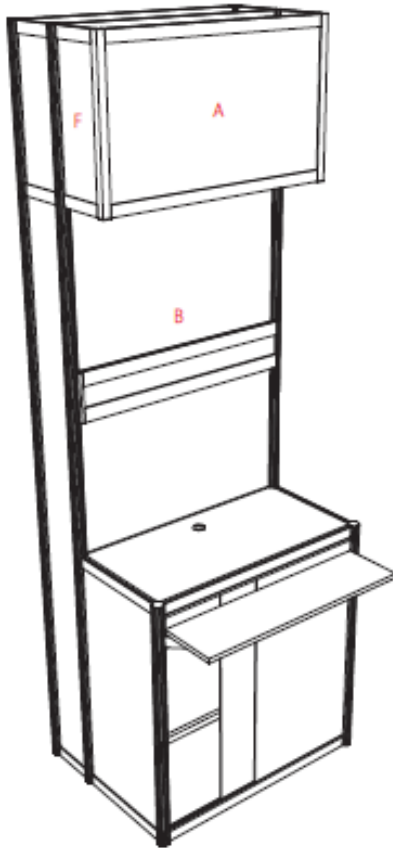
Business Partner Rate	Non-Member Rate
\$4,600	\$6,100

Kiosk must be ordered and graphics submitted by Monday, March 31, 2025

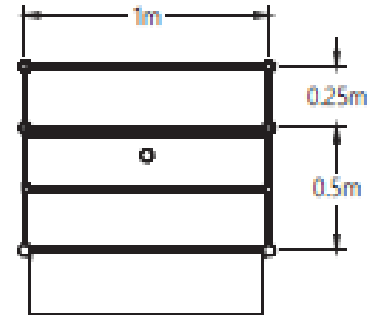
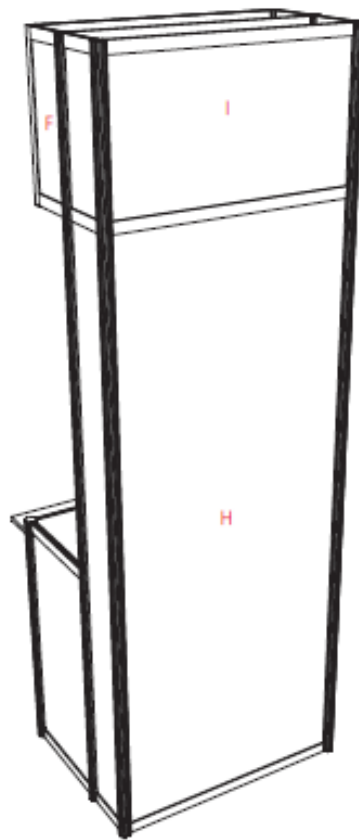
A proof for your final review and print approval will be sent to you.

All proofs must be approved no later than Monday, April 14, 2025

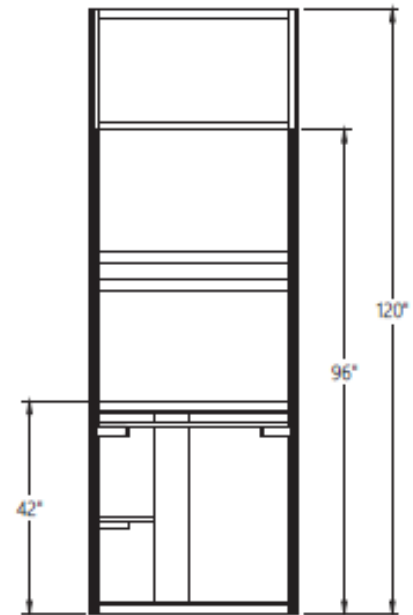
Production information will be included in the Exhibitor Services Kit on the conference website: independents.afsaonline.org



Isometric View



Plan View



Front Elevation

Kiosk Dimensions

- Panel A: 38.07" l x 20.88" h
- Panel B: 38.12" l x 54.46" h
- Panel F: 8.54" l x 20.88" h
- Panel H: 38.12" l x 95.25" h
- Panel I: 38.12" l x 20.88" h

Includes Power

Please reach out to Marilyn McKinnis at mmckinnis@afsamail.org if you have additional questions.

*Kiosk set up and tear down is included with this package. There is minimal storage inside the kiosk; no storage is allowed around or behind kiosk. One stool is included with this package and no other furniture is permitted. NOTE if you purchased a kiosk that is back-to-back you will not have back graphics